

## H 14 TX H 16 TPX



- 34 ft 9 in (10.6 m) and 40 ft 4 in (12.3 m) horizontal outreach.
- Max. load capacity: 230 kg (507 lb).
- Standard 4 wheel drive.
- 13 in (35 cm) ground clearance.



# H 14 TX H 16 TPX

# Telescopic booms

## The Haulotte® advantages

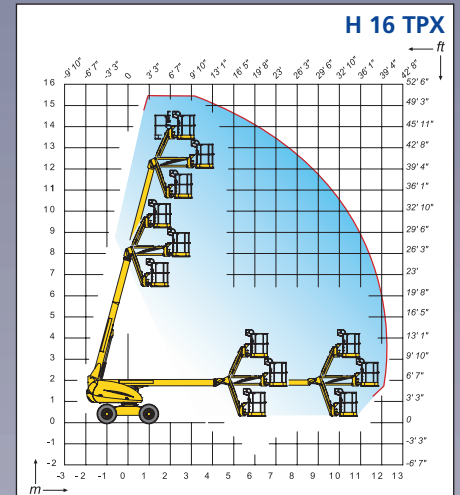
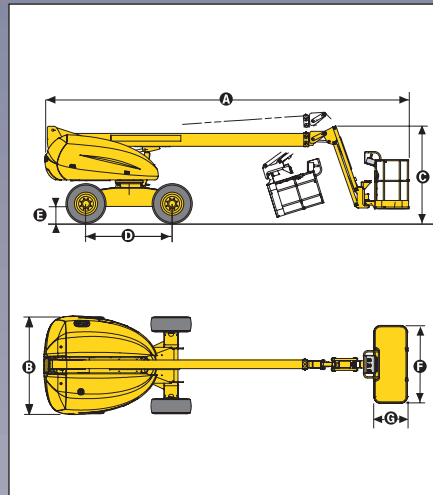
- Hydraulic differential lock, standard 4 wheel drive, 15 in (35 cm) ground clearance improve rough terrain capability
- H 16 TPX : improved working area through a positive / negative articulating fly jib with 140° movement (-70° / +70°)
- Continuous 360° turntable rotation
- 180° hydraulic platform rotation
- Compact travel/transport dimensions
- Full proportional controls and simultaneous boom functions improve productivity
- Robust, reliable and easy to maintain design

## STANDARD FEATURES

- Deutz diesel engine
- 4 wheel drive and 2 front steering wheels
- 5° tilt alarm
- 12 V electrical control system
- 12 V – 95 Ah – 450 A battery
- Free wheeling device
- Load limiter in cage
- Battery electric emergency control in cage
- Hourmeter
- Slewing block pin
- Towing hooks / lifting eyes
- 2 hooks for safety harnesses in platform
- Horn

## OPTIONS & ACCESSORIES

- H 16 TPX: large platform: 91 in X 32 in (2.3 m x 0.8 m)
- Power line to cage
- Rotating beacon
- Working light
- Motion alarm
- Encoded starting device
- Biodegradable oil
- Catalytic exhaust
- Dual gas/fuel engine GM 1.6 l - 41hp (30.6kW)
- On-board generator 3 kw
- Hot weather kit
- Cold weather kit



## SPECIFICATIONS

	H 14 TX		H 16 TPX	
Working height	14.07 m	46 ft 1 in	15.44m	50 ft 8 in
Platform height	12.07 m	39 ft 4 in	13.44 m	44 ft 1 in
Horizontal outreach	10.6 m	34 ft 9 in	12.3 m	40 ft 4 in
Platform capacity	230 kg	507 lb	230 kg	507 lb
Fly jib range of motion	n/a	n/a	140° (-70° / +70°)	
Jib length	n/a	n/a	1.5 m	4 ft 11 in
<b>A</b> Length	7.60 m	24 ft 10 in	8.42 m	27 ft 8 in
<b>B</b> Width	2.3 m	7 ft 6 in	2.3 m	7 ft 6 in
<b>C</b> Stowed height	2.21 m	7 ft 2 in	2.21 m	7 ft 3 in
<b>D</b> Wheelbase	2 m	6 ft 7 in	2 m	6 ft 7 in
<b>E</b> Ground clearance	35 cm	13 in	35 cm	13 in
<b>F</b> x <b>G</b> Platform size	2.3 m x 0.8 m	91 in x 32 in	1.8 m x 0.8 m	71 in x 32 in
Travel/transport length	7.60 m	24 ft 10 in	6.71 m	22 ft
Travel/transport height	2.21 m	7 ft 2 in	2.50 m	8 ft 3 in
Tailswing	0.8 m	32 in	0.8 m	32 in
Drive speed	6 km/h	3.1 mph	6 km/h	3.1 mph
Outside turning radius (wheel)	4.80 m	14 ft 1 in	4.80 m	14 ft 1 in
Turntable rotation – continuous	360°	360°	360°	360°
Hydraulic platform rotation	180°	180°	180°	180°
Engine	Diesel Deutz 31 kW - 42 hp			
Controls	Proportional		Proportional	
Gradeability	50%		50%	
Tyres (Foam Filled)	Sks Hauler - 14 - 17.5		Sks Hauler - 14 - 17.5	
Hydraulic tank	150 l	40 gallons	150 l	40 gallons
Fuel tank	150 l	40 gallons	150 l	40 gallons
Weight	6040 kg	13.316 lb	6650 kg	14.550 kg

AS1418.10



HAULOTTE UK LTD • STAFFORD PARK 6 • TELFORD - SHROPSHIRE TF3 3AT • TEL: +44 (0)1952 292753 • FAX: +44 (0)1952 292758 • E-mail: haulotte@haulotte.co.uk  
 HAULOTTE SCANDINAVIA AB • ARÖDS INDUSTRIVÄG 66 B • 422 43 HISINGS BACKA - SWEDEN • TEL: +46 31 744 32 90 • FAX: +46 31 744 32 99 • E-mail: hwallin@haulotese • www.haulotte.se  
 HAULOTTE AUSTRALIA PTY LTD • 65 LICOLA CRES • DANDENONG - VIC - 3175 • TEL: +61 (0)3 9706 6787 • FAX: +61 (0)3 9706 6797 • E-mail: sales@haulotte.com.au  
 HAULOTTE SINGAPORE PTE. LTD • 26 Changi North Road Way • SINGAPORE 498812 • TEL: +65 6536 3989 • FAX: +65 6536 3969 • E-mail: haulotteasia@haulotte.com

**Haulotte** GROUP